

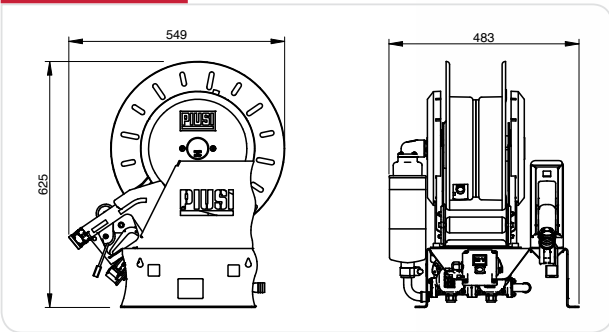
PIUSI PITSTOP 12-24 V DIESEL TRANSFER PUMP

EN. Dispenser unit with automatic hose reel; the 14 metres of hose with automatic nozzle allows dispensing up to 45 l/min with DC power supply. The automatic hose reel, the two DC pumps and the automatic nozzle are integrated in a sturdy supporting structure. Easy to install, versatile, compact, necessary to complete mobile or fixed tanks.

- PIUSI PITSTOP DC consists of:
- 1 - Automatic hose reel.
 - 2 - Side safety guards.
 - 3 - Adjustable arms with end-of-travel hose stop.
 - 4 - Diesel hose 3/4" -14 m (1" - 10 m).
 - 5 - On/Off switch.
 - 6 - Swivel.
 - 7 - Automatic nozzle.
 - 8 - DC pumps.
 - 9 - Sturdy metal supporting structure.
 - 10 - PIUSI filter of the water absorption cartridge

READY TO INSTALL

DIMENSIONS



PRODUCTS' RANGE WEIGHT AND PACKAGING

Code	Weight		Packaging		
	kg	lbs	mm	inch	pcs/box
F00212000	45	99	595x465x670	23,4x13,5x24,4	1
F00213000	45	99	595x465x670	23,4x13,5x24,4	1

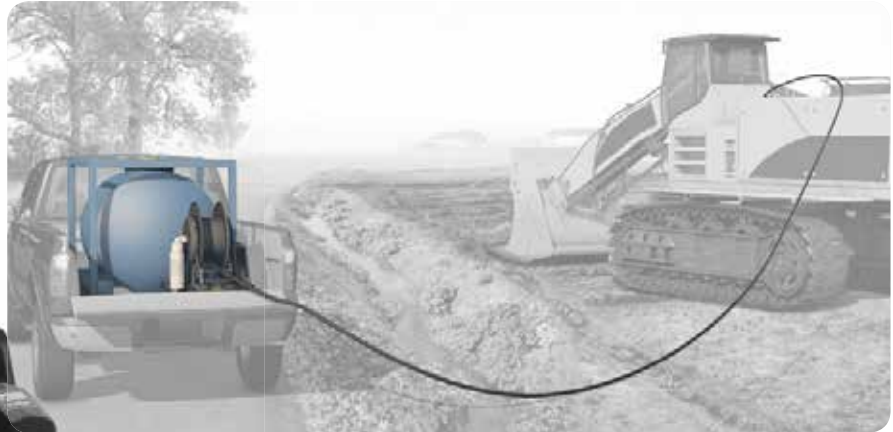


DISPENSERS



Flow-rate
up to
45 l/min
(up to 15 gpm)

Hose
14 m



14 m hose + Built in DC pumps + Automatic nozzle
up to 45 l/min

FEATURES

ON REQUEST

Diesel hose
 3/4"-14 m (1" - 10 m)

Water captor
 H₂O

Pad lock

On/Off switch

Adjustable arms
 with end-of-travel hose stop.

K 24 meter

PRODUCTS' RANGE TECHNICAL DATA

Code	Description	Fluids type	Flow-rate		Voltage			Pump		Duty cycle min.	Nozzle type	Hose		Inlet Ø
			l/min	gpm	AC V/Hz DC Volt	Power Watt	Amp. max.	mod.	no.			length	Ø	
F00212000	PIUSI PITSTOP DC 12V	D	45	11,9	12	400	33	BP 3000	2	30	Aut.	14 m	3/4"	1"
F00213000	PIUSI PITSTOP DC 24V	D	45	11,9	24	620	26	BP 3000	2	30	Aut.	14 m	3/4"	1"

476 Boundary Rd
Derrimut
VICTORIA 3026

Phone: 03 9311 7822
E-mail: sales@liquipvictoria.com.au

